



ROCK TRAILER



CONTACT US :
+1 426-940-5335

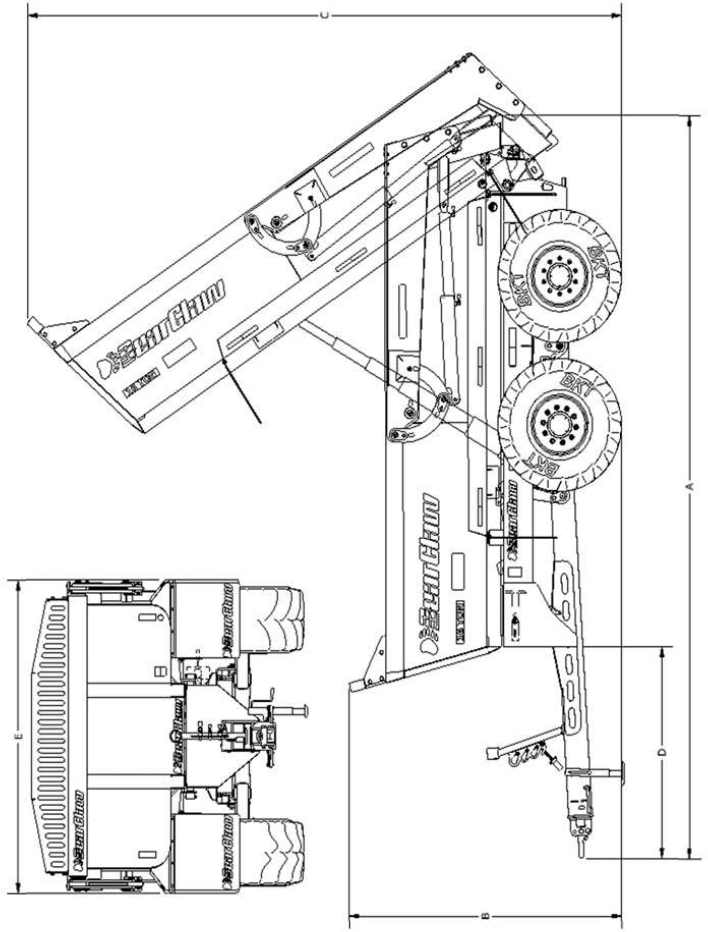


OUR WEBSITE :
BEARCLAWEQUIPMENT.CA



OUR ADDRESS :
6777 WELLINGTON ROAD 9 MOOREFIELD ON

			15T	18T	22T	26T	40T
Load Capacity	Pounds		28,600	35,200	44,000	52,800	74,800
	KG		13,000	16,000	20,000	24,000	34,000
A	Overall Length	Inch	209	235	236	283	341
B	Overall Height	Inch	92	92	112	119	136
C	Max Height (Tipped)	Inch	186	202	213	252	303
D	Tongue Length	Inch	63	67	67	88	88
E	Overall Width	Inch	99	99	110	120	123
F	Loading Height	Inch	80	80	93	105	121
Struck Volume (Standard)	Cubic Feet		233	288	350	480	585
	Cubic Meter		6.6	8.15	9.91	13.59	16.57
	Cubic Feet		313	360	435	620	780
Heaped Volume (35 deg heap)	Cubic Feet		8.86	10.2	12.3	17.56	22.09
	Pounds		605	630	1400	2100	2300
	KG		275	286	635	953	1043
Empty Tongue Weight	Pounds		6,400	9,800	11,300	18,500	26,200
	KG		2900	4,445	5,130	8,370	11,884



15T

Load Capacity: 28,600 (Pounds)
High impact STRENX™ body material
Single multi-stage hydraulic lift (21L / 5.5USG)
Patented "Up and Over Tailgate"
Front and rear mudflaps



18T

Load Capacity: 35,200 (Pounds)
Genuine HARDOX™ body material
Single multi-stage hydraulic lift (25L / 6.6USG)
Standard safety chains
Optional brake upgrade



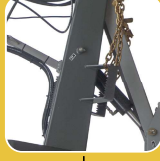
22T

Load Capacity: 44,000 (Pounds)
Genuine HARDOX™ body material
Single multi-stage hydraulic lift (29L / 7.8USG)
Standard road light package
Rubber ride tongue suspension



26T

Load Capacity: 52,800 (Pounds)
Genuine HARDOX™ body material
Single multi-stage hydraulic lift (37L / 9.8USG)
Patented no maintenance rubber block tandem suspension
Optional 12" removable side extensions
Hydraulic jack



40T

Load Capacity: 74,800 (Pounds)
Genuine HARDOX™ body material
Single multi-stage hydraulic lift (68L / 15.4USG)
Patented slave cylinder kit reduces oil requirement to (30.6L / 6.7USG)



Optional air brake upgrade
Optional 12" removable side extensions
Hydraulic jack

